

# GBR-1600/2400

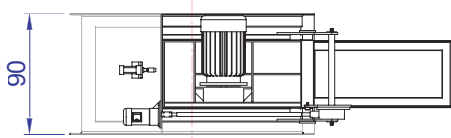
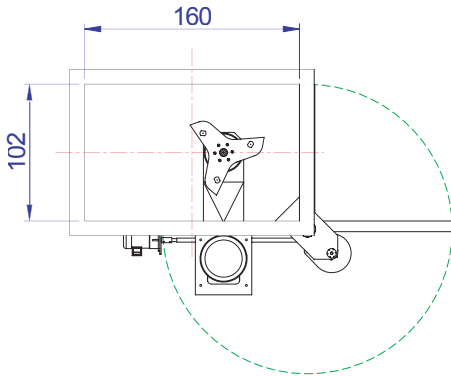
## Ruffle system



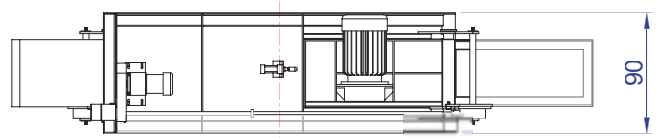
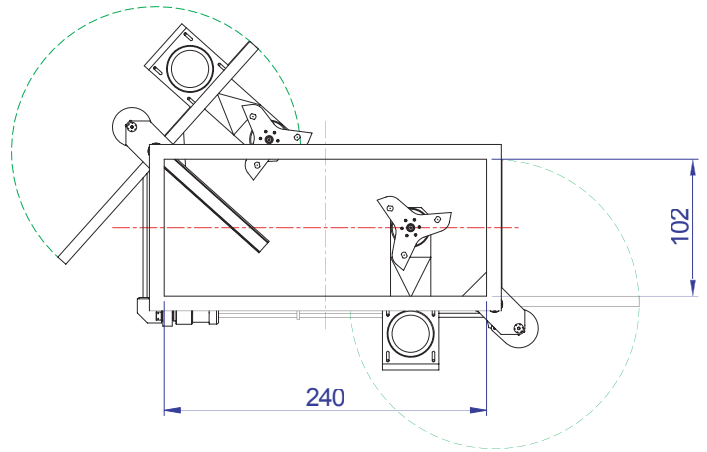
The Ruffler System is a device used for the separation of stacks of newspapers, magazines and documents, to create even density within the bale.

# GBR-1600/2400

## Ruffle system



GBR-1600



GBR-2400

### Specifications:

TYPE	GBR-1600	GBR-2400
Horsepower	20 HP	20 HP x 2
	15 kw	30 kw
Rotors	1	2
Feed opening dimensions (mm)	1600 x 1020	2400 x 1020